

# HIAB X-HIPRO 638



# HIAB X-HIPRO 638 BASIC DATA

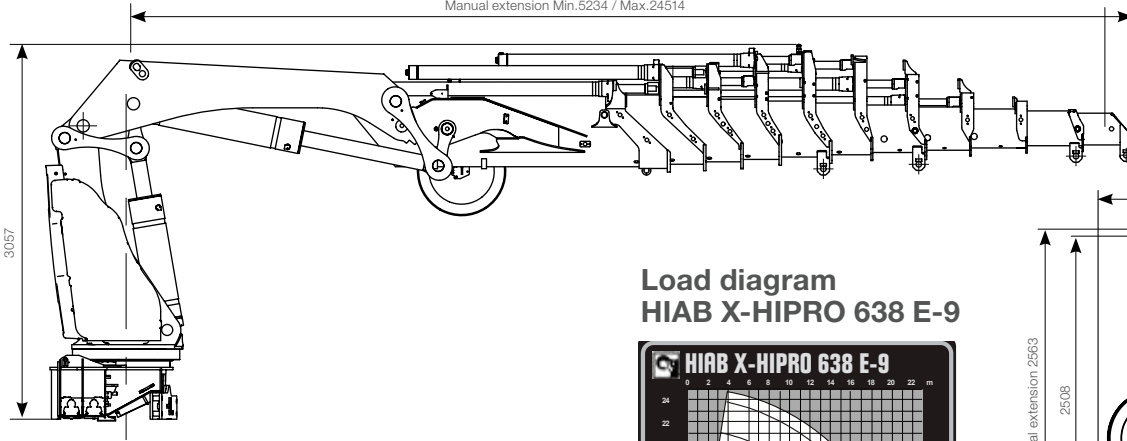
Technical data	HIAB X-HIPRO 638 E-9	HIAB X-HIPRO 638 E-8 +JIB 150X-6 JDC
Max. lifting capacity (kNm)	507	513
Outreach, hydraulic extensions (m)	22.3	20.2
Outreach with jib, without/with manual extension (m)	-	32.2 / 33.7
Outreach - Lifting capacity, hydraulic extension First boom 10 deg, Second boom horizontal	5.1 / 10100 6.7 / 7300 8.4 / 5500 10.2 / 4250 12 / 3400 14 / 2780 16.1 / 2300 18.1 / 1980 20.2 / 1740 22.2 / 1580	5 / 10400 6.5 / 7700 8.3 / 5700 10.1 / 4450 11.9 / 3600 13.9 / 2960 15.9 / 2500 18 / 2160 20 / 1940
Outreach/Lifting capacity with manual extension (m/kg)	24.5 / 1000	
Outreach / lifting capacity with jib, (extra-long jib support out) (m/kg)	- - - - - -	23.2 / 600 24.5 / 530 25.8 / 490 27.2 / 440 28.7 / 410 30.4 / 370 32.1 / 360
Outreach/Lifting capacity with jib, manual extension (m/kg)		33.6 / 300
Slewing angle ( ° )	endless	endless
Height in folded position without / with jib (mm)	2508	2508 / 2673
Width in folded position without / with jib (mm)	2538	2527 / 2548
Installation space needed without / with jib (mm)	1580	1580 / 1762
Installation space needed (including rotation space) without / with jib (mm)	1669	1669 / 1840
Weight, "standard" crane, without stabilisers (kg)	6262	6063
Weight, jib without / with manual extension (kg)		1322 / 1376
Weight, frame attachments (kg)	78 -123	78 -123
Weight, stabiliser equipment, 9 m span (kg)	1015 -1123	1015 -1123

*This table shows a few examples of models, and represents some of all options available. With the opportunity to configure your crane, we can provide you with a crane perfectly tailored to your needs.*

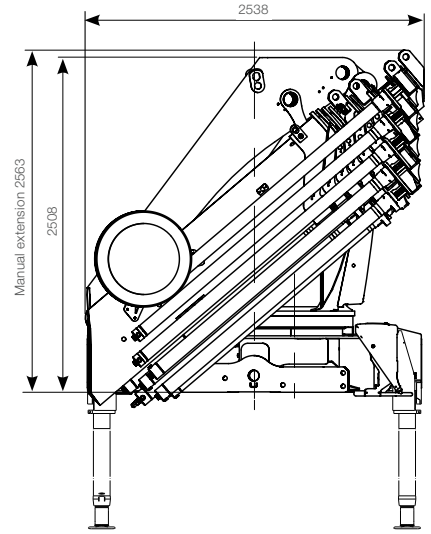
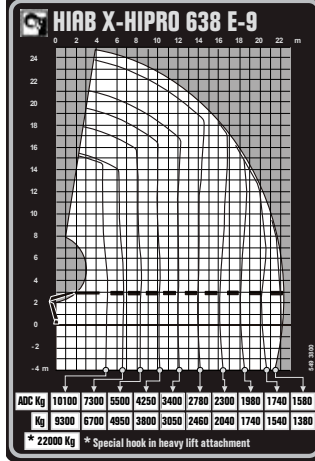
*Please contact your local dealer for more information on the variety of options we can offer.*

# HIAB X-HIPRO 638 E-9

Manual extension Min.5234 / Max.24514



Load diagram  
HIAB X-HIPRO 638 E-9



Capacity plate  
HIAB X-HIPRO 638 E-9

HIAB X-HIPRO 638 E-9	2.0	5.1	6.7	8.4	10.2	12.0	14.0	16.1	18.1	20.2	22.2	24.5
ADC Kg	22000	10100	7300	5500	4250	3400	2780	2300	1980	1740	1580	1000
Kg	9300	6700	4950	3800	3050	2460	2040	1740	1540	1380		

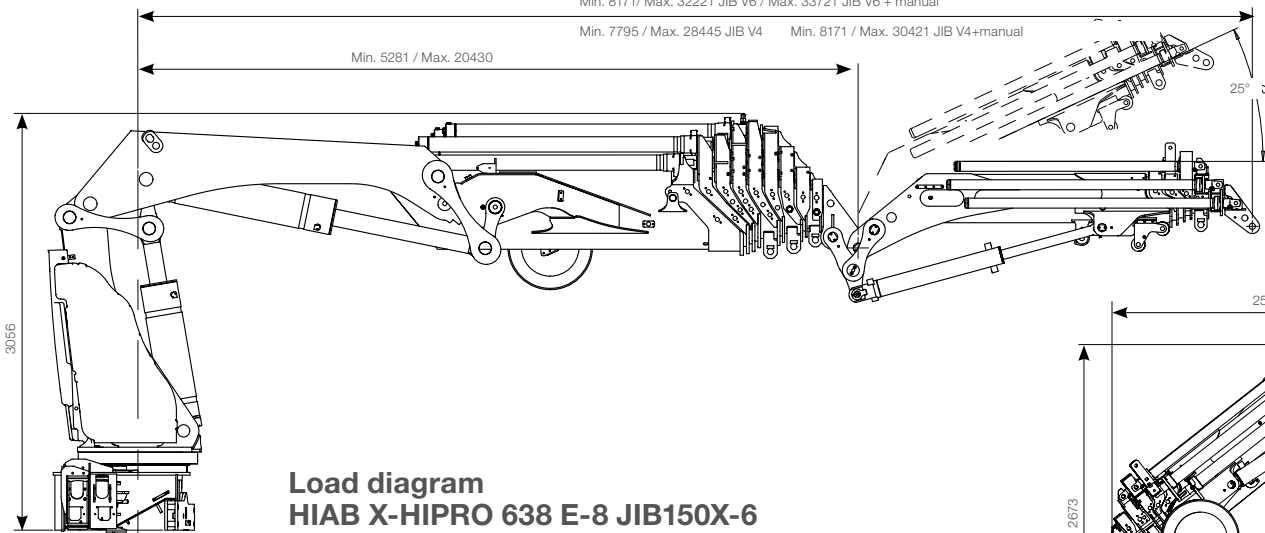
\* Special hook in heavy lift attachment

# HIAB X-HIPRO 638 E-8 + JIB 150X-6 JDC

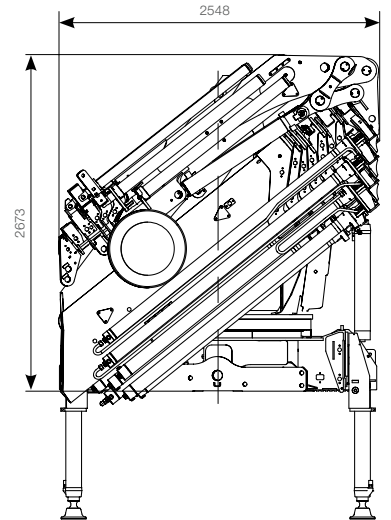
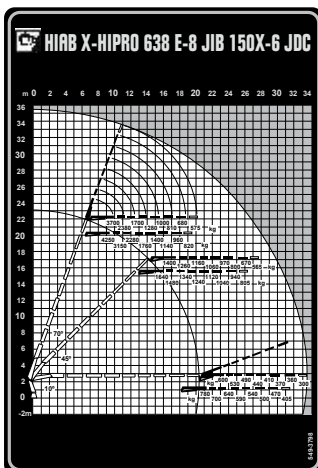
Min. 8171 / Max. 32221 JIB V6 / Max. 33721 JIB V6 + manual

Min. 7795 / Max. 28445 JIB V4    Min. 8171 / Max. 30421 JIB V4+manual

Min. 5281 / Max. 20430



Load diagram  
HIAB X-HIPRO 638 E-8 JIB150X-6



# BUILT TO PERFORM

Hiab is the world's leading provider of on-road load handling equipment. Customer satisfaction is the first priority for us. Hiab's product range includes HIAB loader cranes, JONSERED recycling and forestry cranes, LOGLIFT forestry cranes, MOFFETT truck mounted forklifts and MULTILIFT demountables, as well as DEL, WALTCO and ZEPRO tail lifts.

[hiab.com](http://hiab.com)

Hiab is part of Cargotec.

[cargotec.com](http://cargotec.com)



BD-638-EN-EU\_151013



[hiab.com](http://hiab.com)

